



Parts List Weedo II



Manual Number: E00116 for Serial Number: 64402 on Version.: R03 Date: 02/05/2020

1 MODEL OVERVIEW	3
1.1 WEEDO WITH B&S MOTOR - C10612 R02	3
1.2 WEEDO WITH HONDA MOTOR - C10666 R02	3
2 ASSEMBLY OVERVIEW	4
2.1 ASSEMBLY WEEDO - C10542 R00	4
2.2 CHASSIS WEEDO - C10619 R02	6
2.3 WEED BRUSH HEAD WEEDO - C10620 R00	10
2.4 DRIVE ASSEMBLY B&S MOTOR WEEDO - C10618 R01	11
2.5 DRIVE ASSEMBLY HONDA MOTOR WEEDO - C10668 R01	12
2.6 CONTROL PANEL WEEDO - C10615 R00	13
2.7 DEBRIS GUARD WEEDO - C10616 R00	14
2.8 HYDRAULIC SYSTEM WEEDO - C10663 R00	15
3 ACCESSORIES / OPTIONS	16
3.1 WEEDBRUSH PLATE Ø 50 CM - BT 050 DS - C10613 R00	16
3.2 WEEDBRUSH PLATE Ø 50 CM - BT 050 FL - C10632 R00	17
3.3 LIFTING/LOADING FRAME - C10621 R00	18
3.4 DRIVE UNIT - VARIANT HONDA MOTOR GXV 160 - C11356 R00	19

1. Model Overview



1.1 Weedo with B & S engine C10612 R02

No	No.	Quantity	Designation
1	C10542 R00	1	assembly
2	C10619 R02	1	Chassis assembly
3	C10620 R00	1	attachment
4	C10618 R01	1	drive unit with B & S engine
5	C10615 R00	1	operator console
6	C10616 R00	1	debris guard

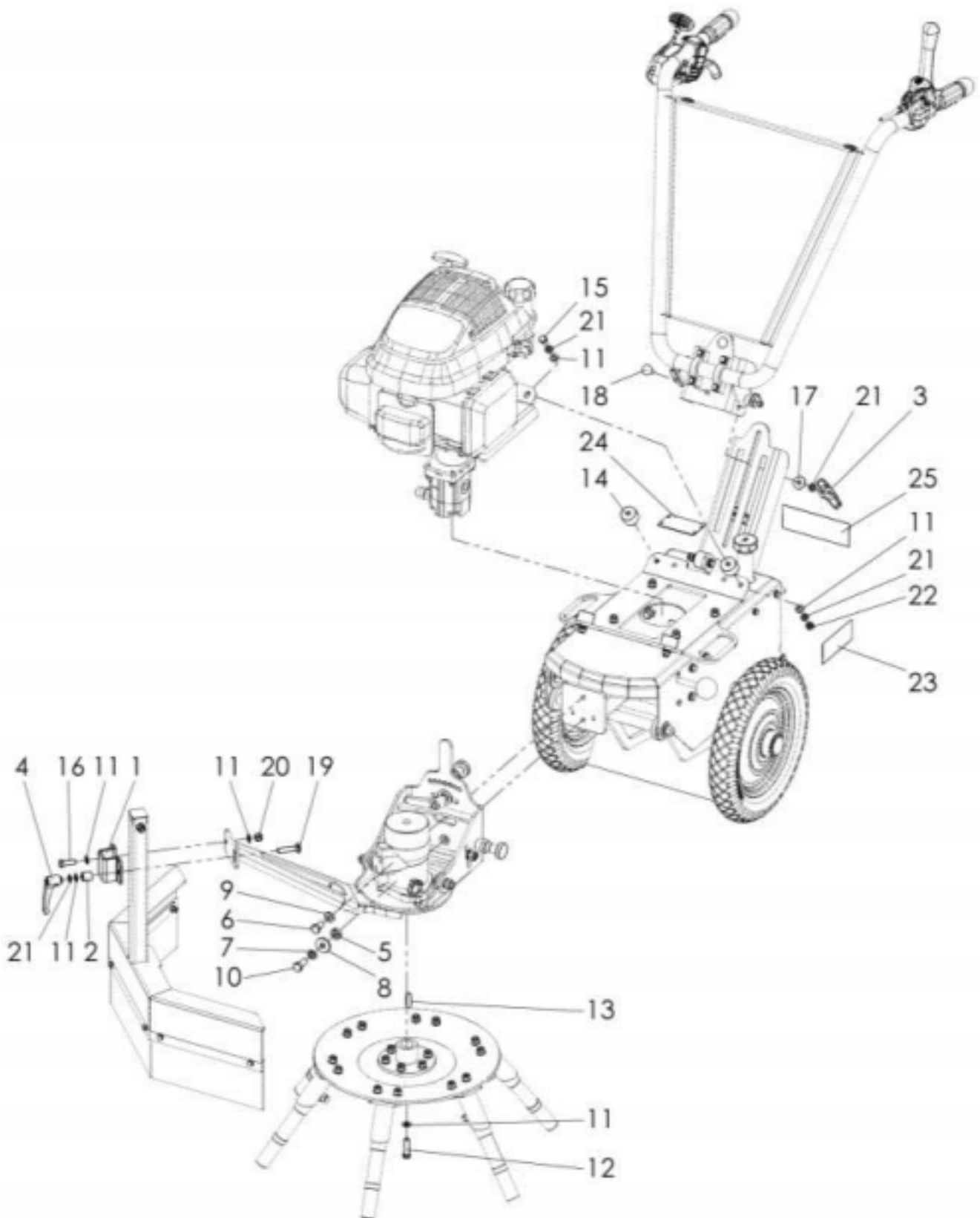
1.2 Weedo with Honda engine C10666 R02

No	No.	Quantity	Designation
1	C10542 R00	1	assembly
2	C10619 R02	1	Chassis assembly
3	C10620 R00	1	attachment
4	C10668 R01	1	drive unit with Honda engine
5	C10615 R00	1	operator console
6	C10616 R00	1	debris guard

WeeDo

2 Module Overview

2.1 Assembly WeeDo - C10542 R00



WeeDo

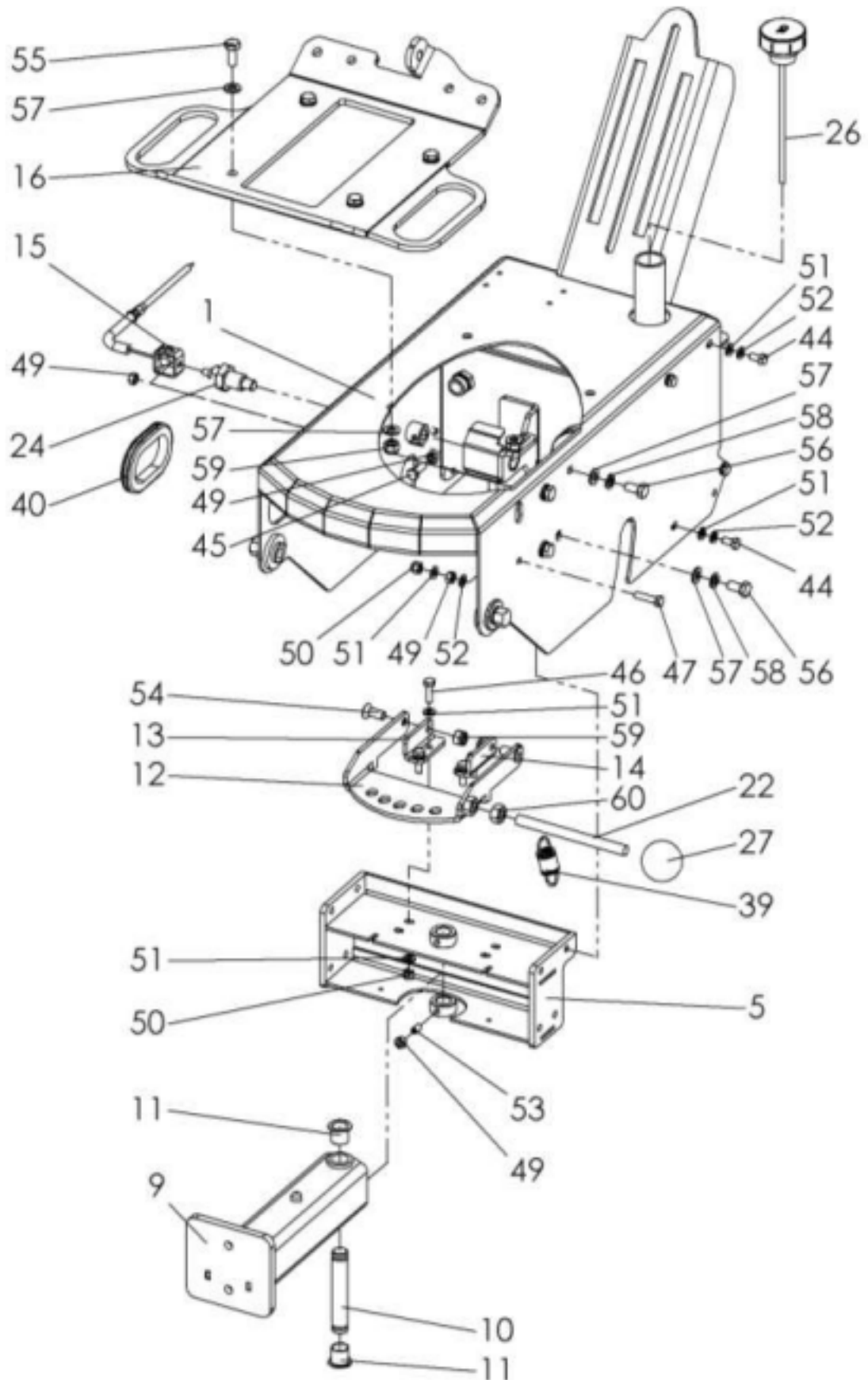
WeeDo assembly WeeDo - C10542 R00

No .	Art.-No.	Quantity	Designation 1
1	C03517	1	Debris guard clamp
2	C04327	1	Sleeve
3	941 250 678	2	T-handle
4	941 200 100	1	Clamping lever
5	C10861	1	Socket
6	901 010 020	1	Bolt
7	905 010 000	1	Spring
8	905 210 000	1	Washer
9	905 110 000	1	Washer
10	901 010 025	1	Bolt
11	905 108 000	14	Washer
12	901 008 035	1	Bolt
13	908 008 730	1	Key
14	911 008 020	5	Rubber Iso Mount
15	901008016	5	Bolt
16	901 008 025	1	Bolt
17	905 208 025	2	Washer
18	901 908 025	2	Carriage bolt
19	901 908 040	1	Coach bolt
20	900 008 002	2	Stop nut
21	905 008 000	13	Spring
22	900 008 001	4	Nut
23	950 900 090	1	Sticker
24	950 900 070	1	Nameplate - Kersten
25	000 003 000	1	Sticker AVIA

WeeDo

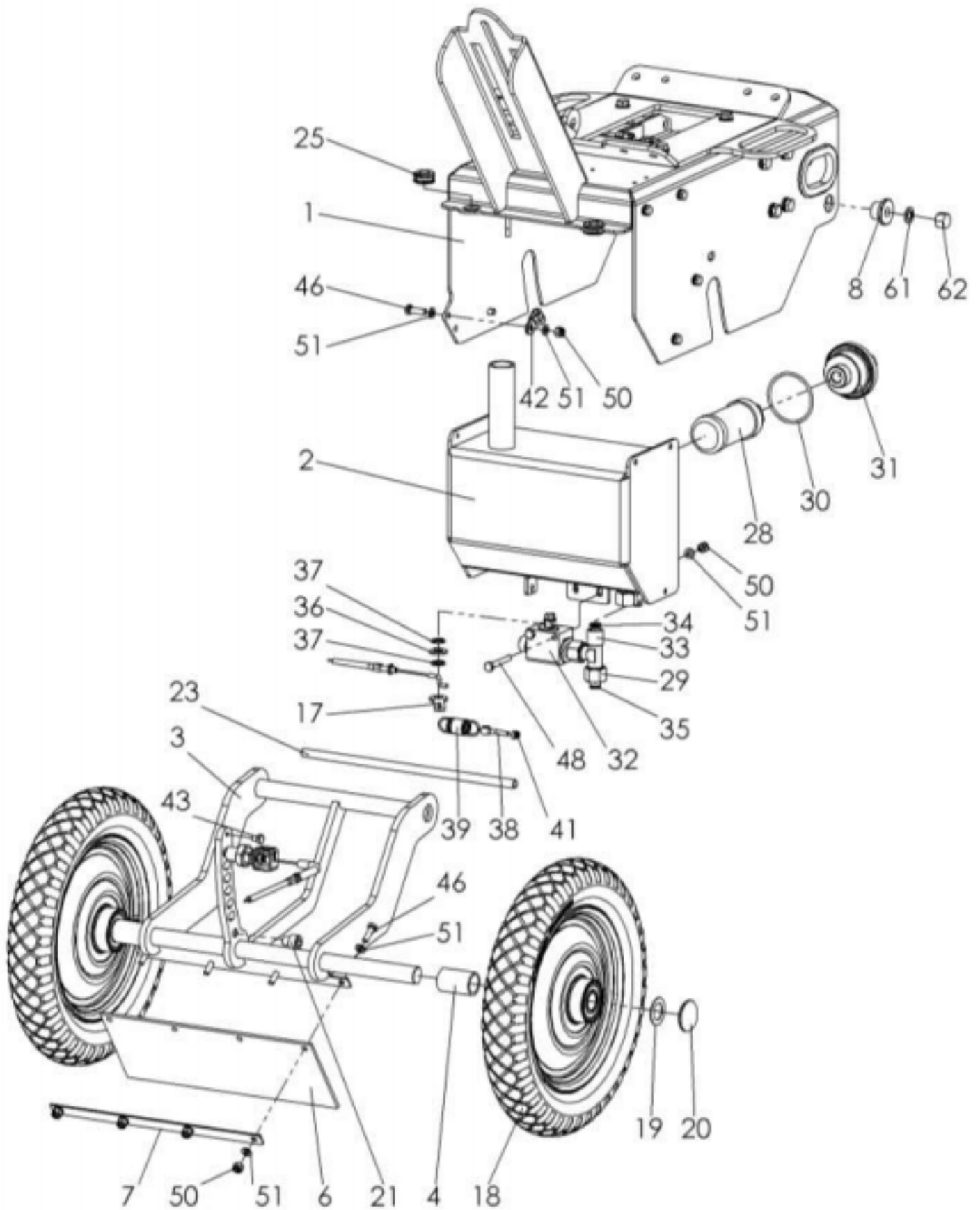
2.2 basic housing WeeDo - C10619 R02

View 1



WeeDo

View 2



WeeDo

basic housing Weedo - C10619 R02

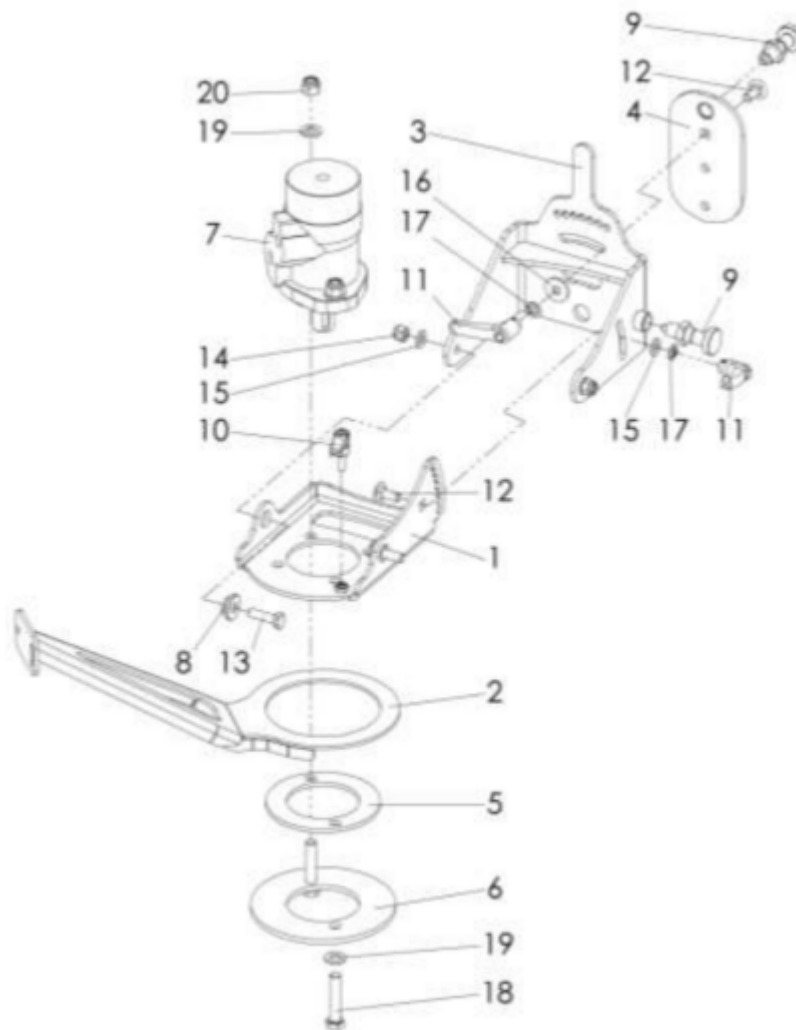
No.	No..	Quantity	Designation 1
1	C07433	1	basic housing Weedo complete
2	C10528	1	tank compl.
3	C10265	1	chassis
4	C10304	2	spacer for tires
5	C11143	1	type 3 compl.
6	C10499	1	splash guard, small
7	C10495	1	retaining plate
8	C10484	2	socket
9	C11156	1	swivel frame type 2 compl.
10	C11154	1	swivel axis type 2
11	927 708 015	2	plain bearing bush
12	C10578	1	swivel.
13	C07462	1	Screw-on pivot fixing right
14	C07463	1	Screw-on pivot fixing left
15	C10322	1	bowden cable
16	C07441	1	Vibration console chassis
17	C10236	1	pivot lever stopcock
18	926 140 404	2	Impeller
19	905 320 010	2	shim
20	906 911 020	2	Starlock circlip
21	901 810 010	1	Cyl. Screw with hexagon socket. without shaft
22	902 410 110	1	stud screw adjusting screw
23	C10535	1	threaded rod, long
24	908 171 012	1	locking bolt with threaded pin
25	908 706 665	2	double-sided cable grommet
26	931 201 134	1	oil filler plug with dipstick
27	941 220 010	1	ball knob
28	937 200 010	1	filter element Hydraulic
29	931 011 200	1	union nut
30	937 105 830	1	O-ring
31	110 000 135	1	oil filter tank screw connection with filter carrier screw connection
32	931 141 203	1	shut-off valve 2-way
33	931 051 200	1	hydraulic
34	937 109 015	1	O-ring
35	931 131 200	1	closure blind plugs
36	905 125 010	1	washer nylon
37	937 116 015	2	copper ring
38	903 005 030	1	eye bolt
39	909 200 139	2	tension spring

WeeDo

Basic housing Weedo - C10619 R02

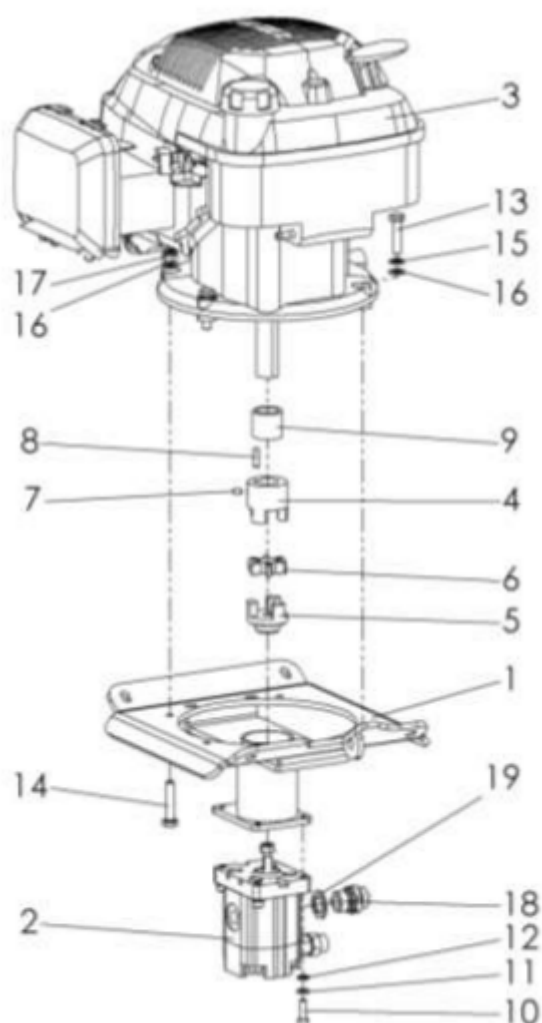
No.	No..	Quantity	Designation 1
40	908 706 667	1	double-sided cable grommet
41	900 005 002	1	stop nut
42	908 615 006	1	Pipe with rubber insert
43	901 006 008	1	Clamp hexagon screw without shaft
44	901 006 012	7	hexagon screw without shaft
45	901 006 016	1	Hexagon screw without shaft
46	901 006 020	9	hexagon screw without shaft
47	901 006 025	1	hexagon screw without shaft
48	901 006 045	2	hexagon screw without shaft
49	900 006 001	4	hexagon nut
50	900 006 002	12	stop nut
51	905 106 000	29	Washer washer
52	905 006 000	8	spring
53	902 306 012	1	grub screw with hexagon socket. and point
54	901 208 020	2	countersunk screw with hexagon socket.
55	901 008 020	4	hexagon screw without shaft
56	901 008 016	8	hexagon screw without shaft
57	905 108 000	17	washer
58	905 008 000	8	spring ring
59	900 008 002	6	stop nut
60	900 010 001-1	1	Skt . mother
61	905 010 000	2	spring ring
62	900 010 003	2	cap nut flat

2.3 Arbeitskopft Weedo - C10620 R00



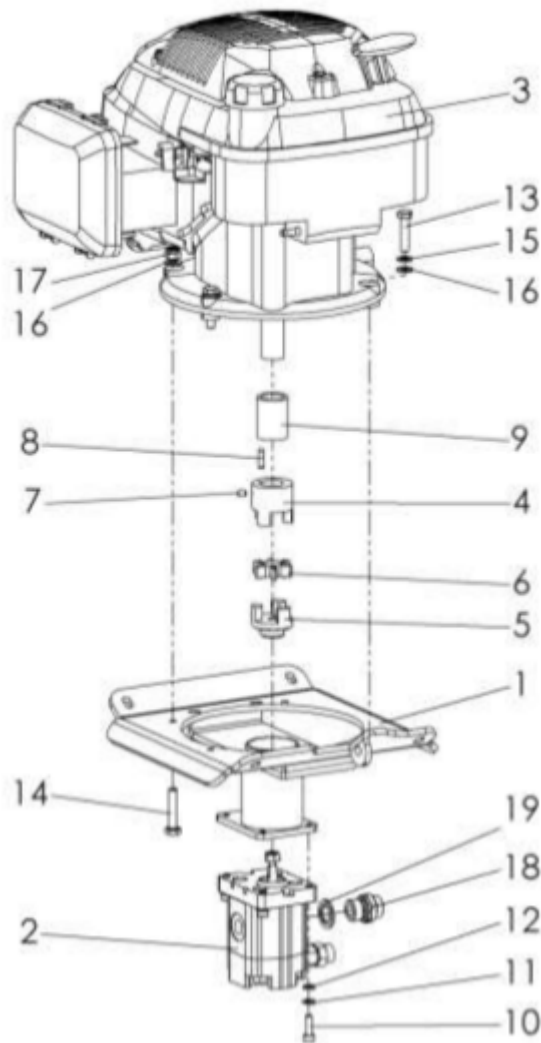
No.	No..	Quantity	Designation 1
1	C07253	1	motor
2	C10344	1	splash guard.
3	C072611	1	Mounting plate
4	C07259	1	Mounting plate
5	C10329	1	spacer
6	C10330	1	pinching disc
7	935 102 050	1	hydraulic motor
8	C06167	2	Bundbuchse
9	907 501 108	2	detent bolt
10	941 200 080	1	clamping lever, adjustable
11	941 200 210	2	clamping lever
12	901 910 025	2	carriage bolt
13	901 010 035	2	Skt . Screw without shaft
14	900 010 002	2	stop nut
15	905 110 000	3	washer
16	905 210 000	1	K washer
17	905 010 000	2	spring
18	901 112 060	2	Washer hexagon screw with shaft
19	905 112 000	4	U dial to
20	900 012 002	2	stop nut

2.4drive unit B & S motor Weedo - C10618 R01



No.	No..	Quantity	Designation 1
1	C07442	1	Vibration console with pump support
2	934 100 055-1	1	hydraulic pump
3	920 000 124	1	B & S Motor / 750 Series
4	925 101 025	1	clutch motor
5	925 103 019	1	clutch hub
6	6925102064	1	coupling driver
7	7902405008	1	Set screw
8	908 047 420	1	pass spring
9	C10582	1	spacer sleeve
10	901 806 020	4	cheese head screw with Innenskt.
11	905 106 000	4	washer
12	905 006 000	4	spring
13	901 008 035	3	Washer hexagon screw without shaft
14	901 008 040	1	hexagon screw without shaft
15	905 008 000	3	spring
16	905 108 000	4	Washer washer
17	900 008 002	1	stop nut
18	931 071 512-1	1	Hydraulic union
19	937 128 021	1	Doughty washer

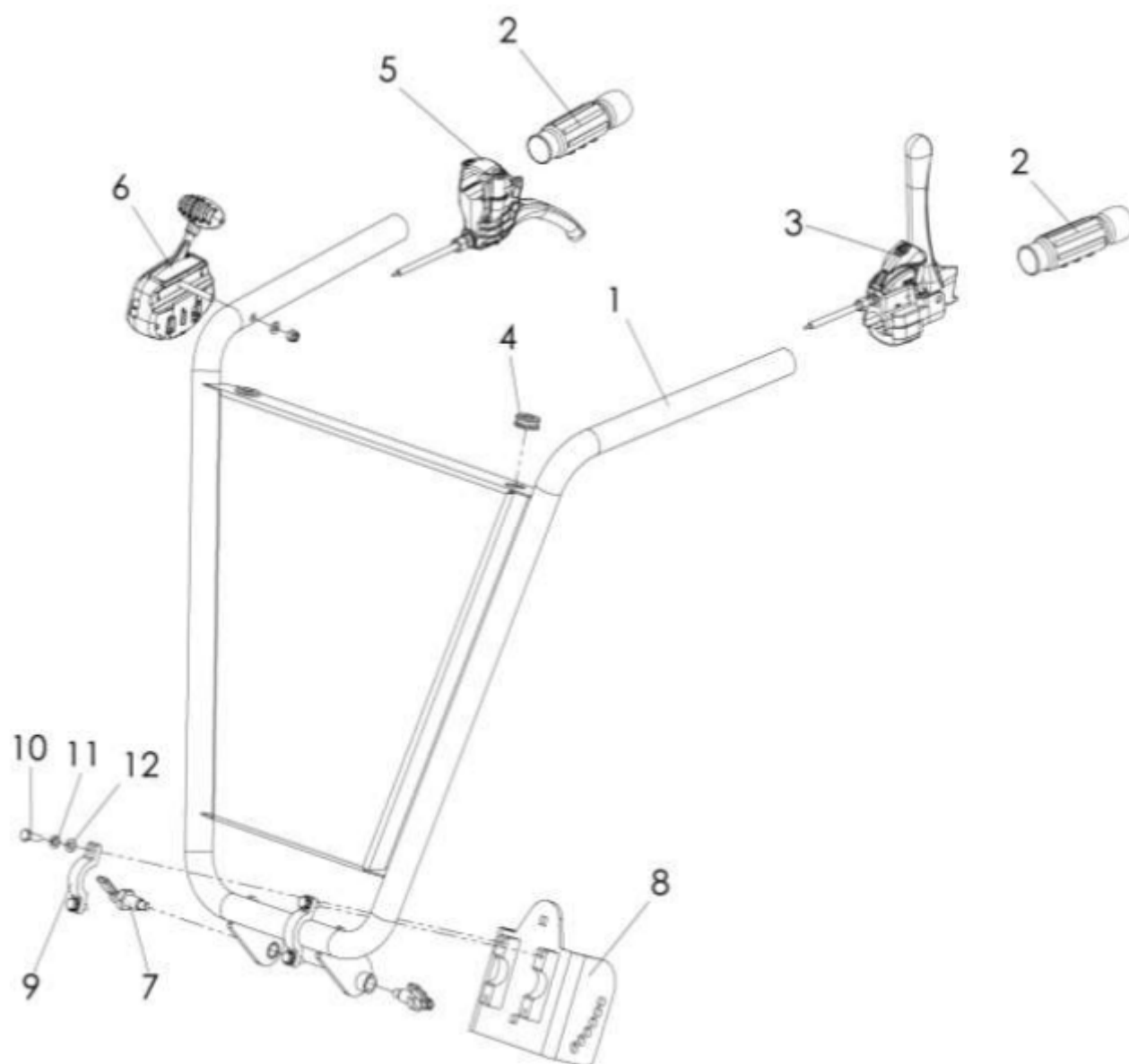
2.5 drive unit Honda motor Weedo - C10668 R01



No.	No..	Quantity	Designation 1
1	C07442	1	Vibration console with pump support
2	934 100 055-1	1	hydraulic pump
3	920 000 055	1	Honda Motor 5.5 PS
4	925 101 025	1	clutch motor
5	925 103 019	1	clutch hub
6	925 102 064	1	coupling driver
7	902 405 008	1	Set screw
8	908 047 420	1	pass spring
9	C10581	1	spacer sleeve
10	901 806 020	4	cheese head screw with Innenskt.
11	905 106 000	4	washer
12	905 006 000	4	spring
13	901 008 035	3	Washer hexagon screw without shaft
14	901 008 040	1	hexagon screw without shaft
15	905 008 000	3	spring
16	905 108 000	4	Washer washer
17	900 008 002	1	stop nut
18	931 071 512-1	1	Hydraulic union
19	937 128 021	1	Doughty washer

WeeDo

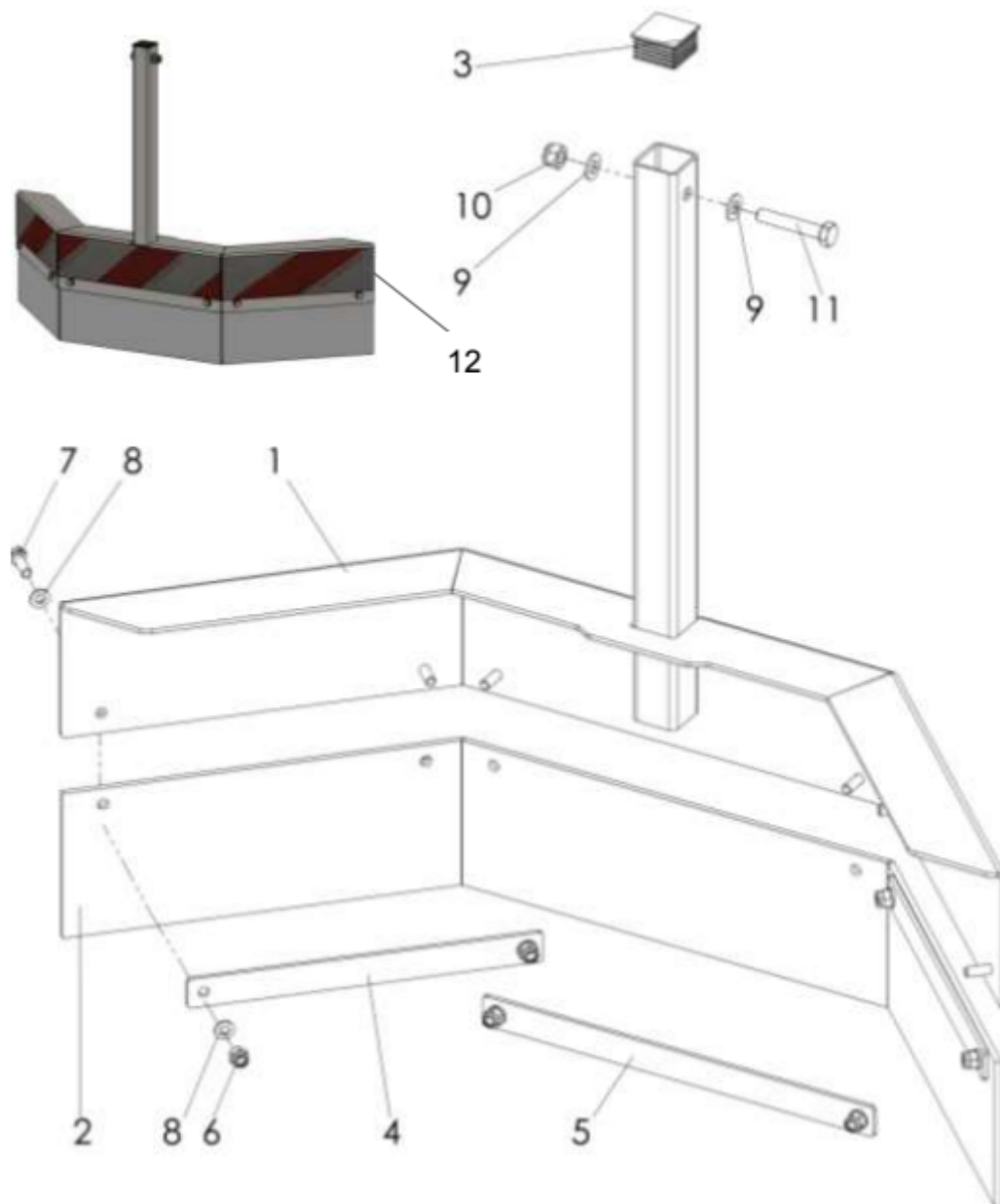
2.6 operator Weedo - C10615 R00



No.	No..	Quantity	Designation 1
1	C10540	1	handlebar complete
2	941 908 015	2	handle
3	941 050 181	1	Bowden cable ball valve
4	908 706 665	2	Double-sided grommet
5	941 050 180	1	Cable Bowden cable lock
6	941 130 712	1	throttle lever
7	907 501 112	2	locking bolt with lock nut
8	C07461	1	Sliding complete
9	C06491	2	pipe
10	901 006 016	4	hexagon screw without shaft
11	905 006 000	4	spring
12	905 106 000	4	Washer washer

WeeDo

2.7 splash guard WeeDo - C10616 R00

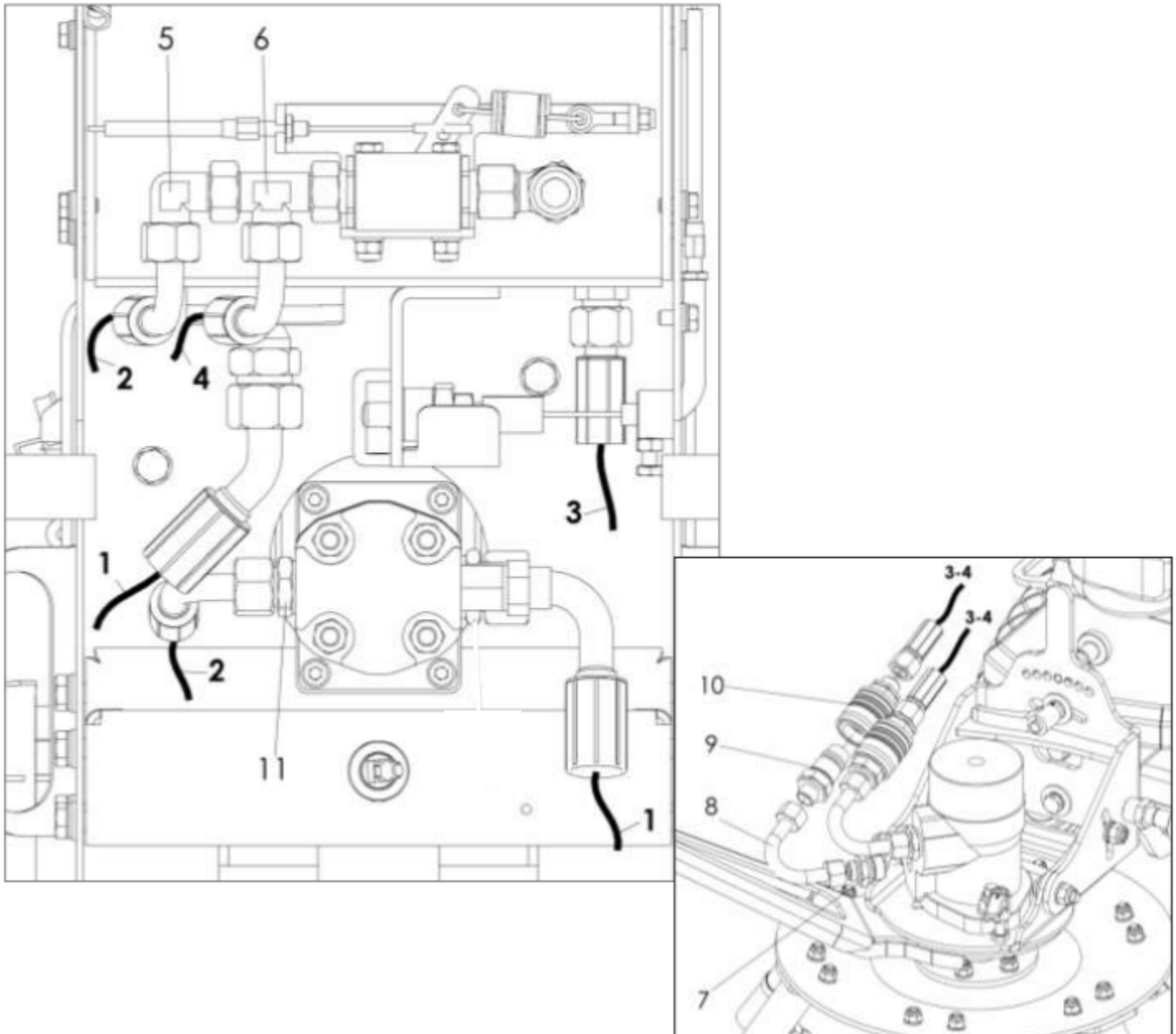


12

No.	Art.-No.	Quantity	Designation 1
1	C10345	1	splash guard compl.
2	C10312	1	rubber injection cloth
3	943 130 303	1	protective cap
4	C10342	2	countershort
5	C10343	1	counterlong
6	900 006 002	6	stop
7	901 006 020	6	nuthexagon screw without shaft
8	905 106 000	12	washer
9	905 108 000	2	washer
10	900 008 002	1	stop nut
11	901 008 045	1	hexagon screw without shaft
12	C10669	1	safety label

WeeDo

2.8hydraulic diagram Weedo - C10663 R00

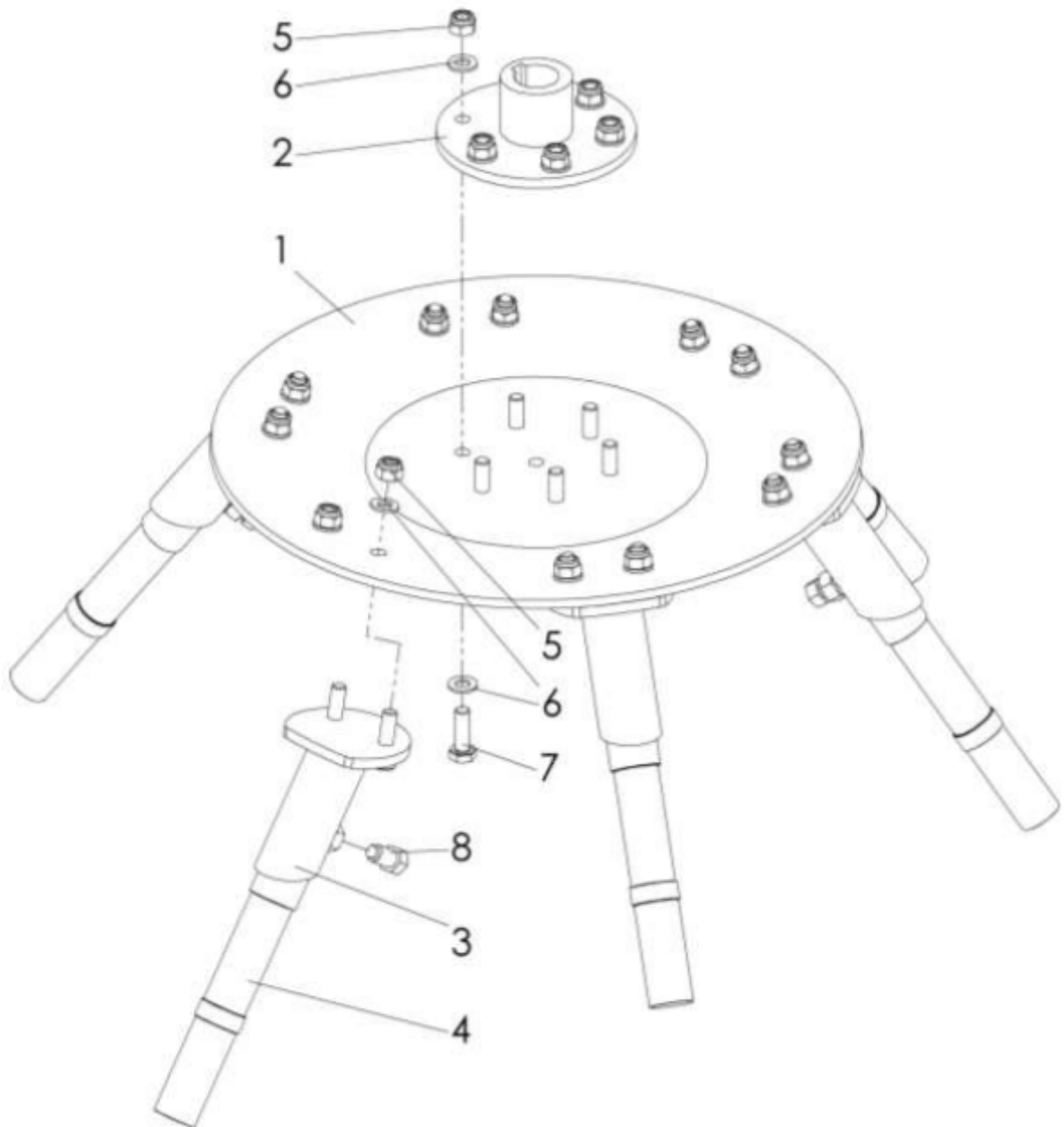


No.	No..	Quantity	Designation of
			hydraulic hose set: 930 750 991
1	930 750 060	1	hydraulic hose
2	930 750 061	1	hydraulic hose
3	930 750 062	1	hydraulic hose
4	930 750 063	1	hydraulic hose
5	931 061 200	1	hydraulic screw connection
6	931 041 200	1	hydraulic screw connection
7	931 071 212	2	hydraulic screw connection
8	C10379	2	hydraulic line
9	9932131323	2	hydraulic connector
10	932 231 223	2	hydraulic sleeve
11	931 071 238	1	Hydraulikverschraubung

WeeDo

3 Accessories / option

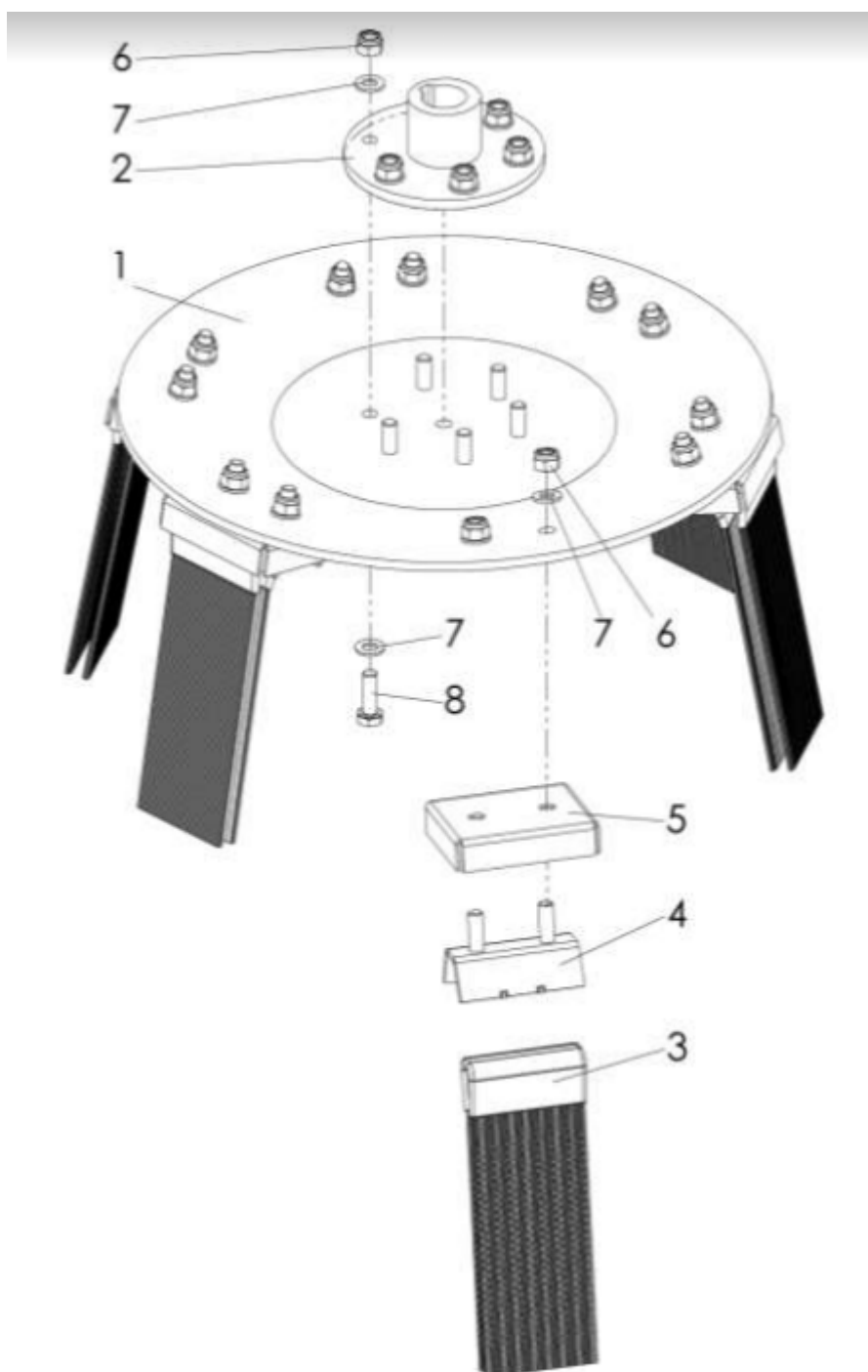
3.1 brushes disc Ø 50 cm - BT 050 DS - C10613 R00



No.	No..	Quantity	Designation 1
1	C10584	1	brush6 tools
2	700 000 130	1	mounting flange, compl.
3	C10487	6	.holder compl
4	106 780 200	6	wire rope braid
5	900 008 002	18	stop nut
6	905 108 000	24	washer
7	901 008 025	6	hexagon screw without shaft
8	902 510 020	6	screw with tip

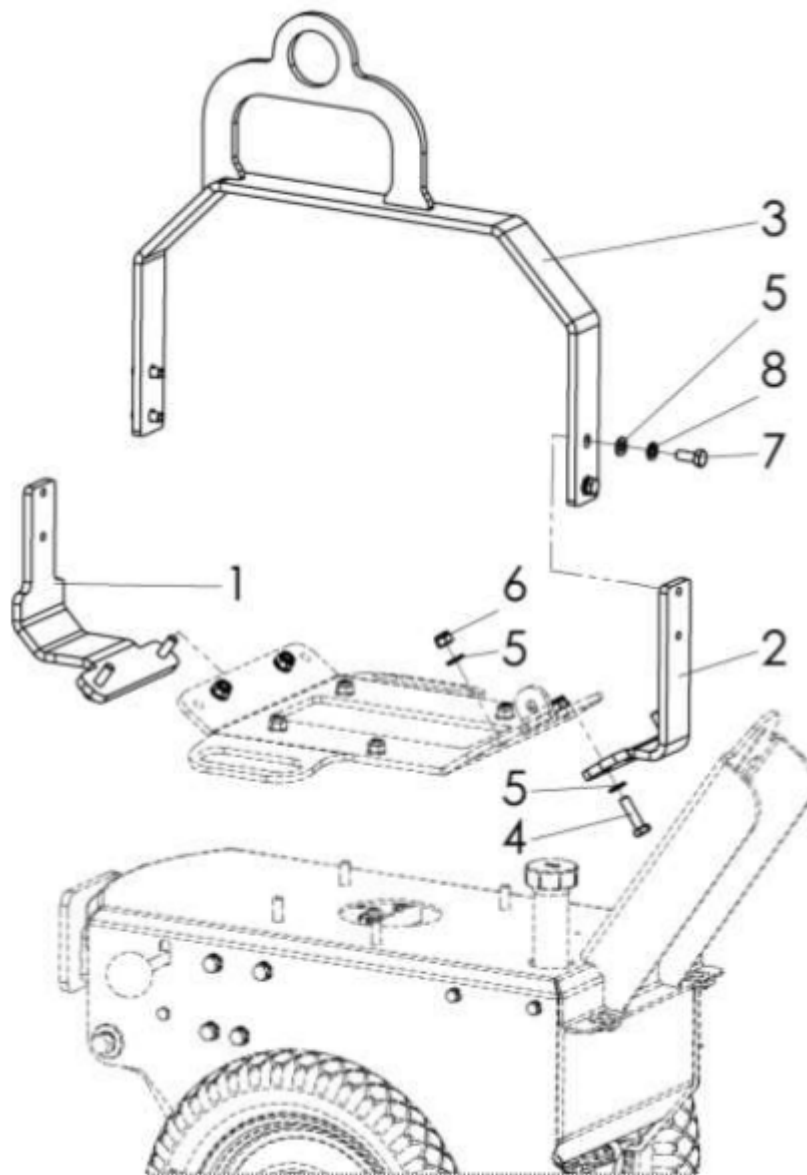
WeeDo

3.2 brushØ 50 cm - BT 050 FL - C10632 R00



No.	Art.	Quantity	Designation 1
1	C10584	1	brush6 tools
2	700 000 130	1	flange brush plate, compl.
3	750 000 135	6	weed tufts
4	700 001 133	6	brush holder wide
5	700 000 132	6	brush holder outer part
6	900 008 002	18	stop nut
7	905 108 000	24	washer
8	901 008 025	6	hexagon screw without shaft

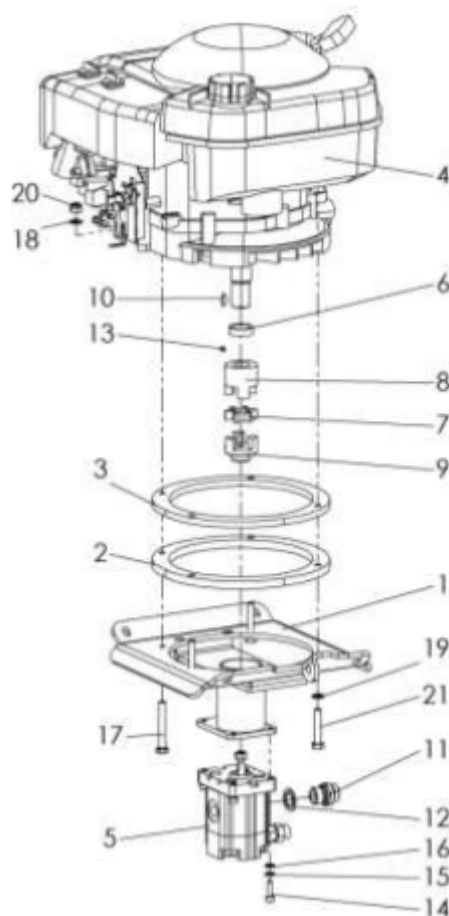
3.3 loading- C10621 R00



No.	Art.	Quantity	Designation 1
1	C10551	1	Angle
2	C10556	1	small angle
3	C10559	1	support arm compl.
4	901 008 030	4	hexagon screw without shaft
5	905 108 000	12	washer
6	900 008 002	4	stop
7	901 008 020	4	Nut hexagon screw without shaft
8	905 008 000	4	Spring washer

WeeDo

3.4 drive unit - variant Honda motor GXV 160 - C11356 R00



No.	Art.	Quantity	Designation 1
1	C07442	1	vibration bracket with bellhousing
2	C11355	1	spacer
3	C11357	1	spacer
4	920 000 155	1	Honda engine
5	934 100 055-1	1	hydraulic pump
6	C01029	1	Spacer small
7	925 102 064	1	coupling
8	925 101 025	1	coupling, engine side
9	925 103 019	1	Coupling motor side
10	908 024 034	1	keyway crescent
11	931 071 512-1	1	Hydraulic union
12	937 128 021	1	Doughty washer
13	902 405 008	1	Set screw
14	901 806 020	4	Bolt
15	905 106 000	4	washer
16	905 006 000	4	spring
17	901 108 060	1	Washer hexagon screw without shaft
18	905 108 000	1	Washer washer
19	905 008 000	3	spring
20	900 008 002	1	stop nut
21	902 751 136	3	Hexagon screw