



Spare Part List

Rotary Gritter/Spreader 70 litre



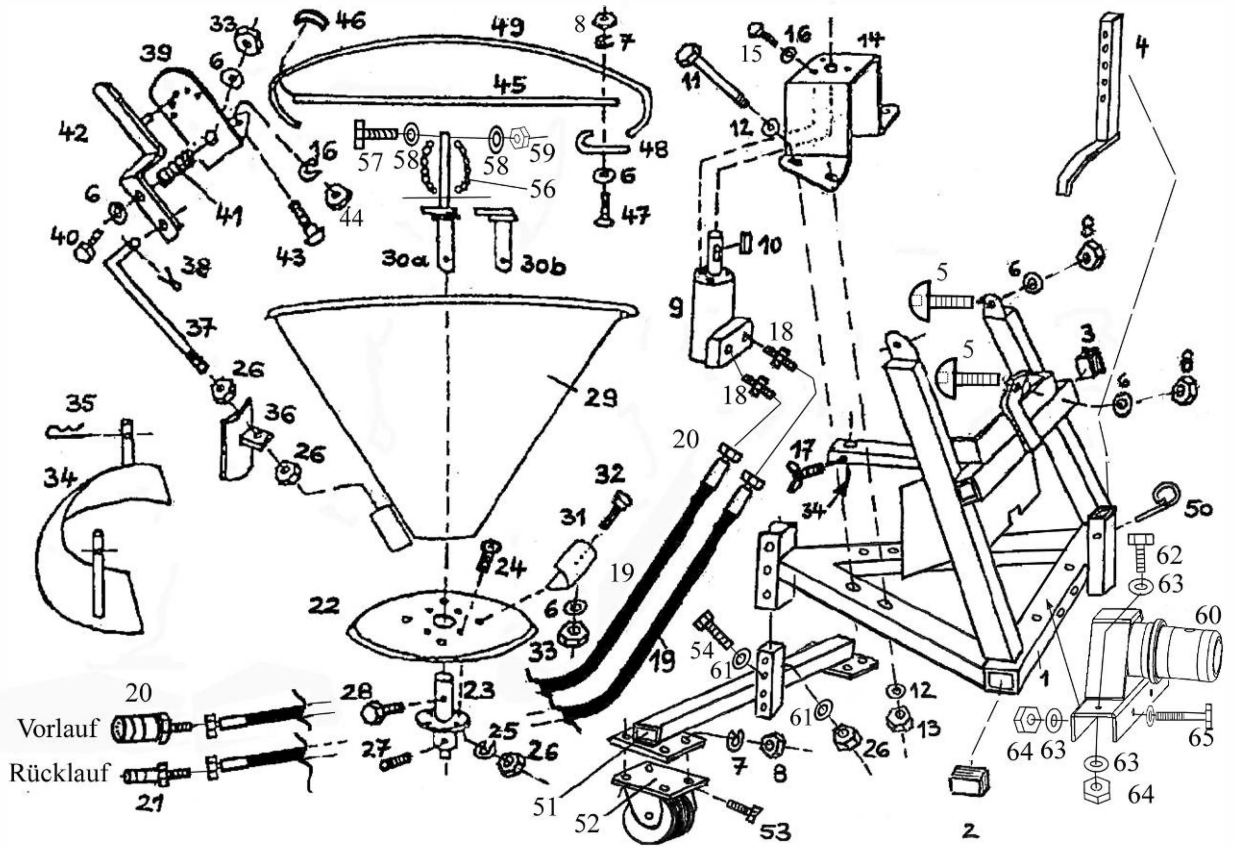
05 - 2019



Manufactured by
Kersten Arealmaschinen GmbH
Empeler Straße 95
D - 46459 Rees
www.kersten-maschinen.de



Distributed in UK by
Kersten (UK) Ltd Tel. 0118 986 9253
Progrees House
39 Boulton Road Reading, RG2 0NH
www.kerstenuk.com - info@kerstenuk.com



No.	Order No.	Nu	Designation
1	700 200 300	1	Spreader frame K200 + UBS
2	943 160 403	2	Cap
3	943 140 202	2	Cap
4	700 200 301	1	Abstel foot
5	903 608 025	3	Flat headed screw
6	905 108 000.8	15	Washer
7	905 008 000	5	Spring washer
8	900 008 001	5	Mother
9a	935 111 040	1	Hydraulic motor
9b	937 301 032	1	Gasket set engine
10	908 005 016	1	Adjusting spring
11	901 110 060	4	Screw
12	905 110 000	8	Washer
13	900 010 002	4	Stop mother
14	950 040 331	1	Engine holder
15	901 006 016	3	Screw
16	905 006 000	5	Spring washer
17	902 108 012	2	Thumbscrew
18	931 070 838	2	Hydro screw connection
19	930 008 580	2	Hydraulic hose 580 mm
20	932 231 223	1	Hydraulic sleeve
20a	937 300 028	1	Seal to the sleeve
21	932 131 323	1	Hydraulic connector
22	950 040 332	1	Spreading plate
23	950 040 333	1	Dish intake hydr.
24	902 210 016	5	Allen screw
25	905 010 000	5	Spring washer
26	900 010 002.8	1	Stop mother
27	902 306 010	1	Grub screw
28	901 010 016	1	Screw
29	950 040 308	1	Funnel V 70
30a	950 040 334	1	Agitator with mixing rod
30b	950 040 335	1	Stirring finger, short

No.	Order No.	Nu	Designation
31	950 040 307	4	Spreading wings
32	901 908 020	4	Carriage screw V2A
33	900 008 002	9	Stop mother
34	950 040 318	1	Spreading width limiter
35	907 003 001	2	Cotter pin
36	950 040 309	1	Pusher
37	950 040 310	1	Slide rod
38	907 204 020	1	Cotter
39	950 040 311	1	Dosing
40	901 108 050	1	Screw
41	909 103 288	1	Compression spring
42	950 040 312	1	Apportioning
43	903 606 015	2	Screw
44	900 006 001	2	Mother
45	950 040 315	1	Guard
46	950 040 336	6	Edge protection piece
47	903 608 016	2	Screw
48	950 040 316	2	Hook
49	950 040 317	1	Drape
50	907 145 000	1	Pipe linch pin
51	700 200 302	1	Wheel axle
52	926 302 135	2	Wheel
53	901 008 016	8	Screw
54	901 110 075	1	Screw
55	931 031 238	1	Hydraulic connection
56	700 200 303	2	Chain, 14 links
57	901 006 045	2	Screw
58	905 206 000	4	Diameter washer
59	900 006 002	2	Stop mother
60	700 001 055	1	Pickup spreader K2000 & UBS
61	905 010 000	2	Washer
62	901 010 060	2	Screw
63	905 110 000	8	Washer
64	900 010 002	4	Stop mother
65	901 110 190	2	Hexagon bolt with shank

Kersten

SITE MAINTENANCE EQUIPMENT

Distributed in UK by
Kersten (UK) Ltd Tel. 0118 986 9253

Progress House
39 Boulton Road Reading, RG2 0NH
www.kerstenuk.com - info@kerstenuk.com