



# Original Operating Manual

## Roraty Gritter/Spreader 70 litre



05 - 2019



Manufactured by  
**Kersten Arealmaschinen GmbH**  
Empeler Straße 95  
D - 46459 Rees  
[www.kersten-maschinen.de](http://www.kersten-maschinen.de)



Distributed in UK by  
**Kersten (UK) Ltd** Tel. 0118 986 9253  
Progrees House  
39 Boulton Road Reading, RG2 0NH  
[www.kerstenuk.com](http://www.kerstenuk.com) - [info@kerstenuk.com](mailto:info@kerstenuk.com)

## SLDST gritter-spreader

Operating Advice – Centrifugal spreader:

The centrifugal spreader is suitable for spreading sand, salt, grit against snow or black ice, or also chemical fertilizers. When using wet materials (sand, salt) the longer stirring finger and mixing rod should be attached instead of the short stirring finger.

Only put materials in to the hopper when the machine is switched off!. Put the gas lever on drive machine to full, i.e. always use the spreader at full motor rotation.

Safety Advice:

When the machine is running always cover the hopper with a protective grid!.

Never reach in to the hopper when the machine is running!

Never touch the spreader plate when the machine is running!

Only adjust the broadcast width deflector plate when the spreader is switched off.

By the lever on the upper left hand side of the spreader hopper (see sketch)

When the deflector plate is in the spreader opening is closed.

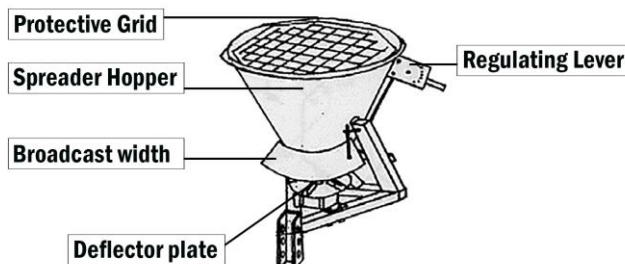
When the lever is in the upper position the spreader opening is closed.

The further down the lever is set in the catch holes, the larger the quantity of material broadcast

b) Adjustment of broadcast width

By the broadcast width deflector plate on the bottom edge of the hopper (see sketch)

The higher the deflector plate will be.  
Only adjust when



Sketch 2

c) To set type of spread

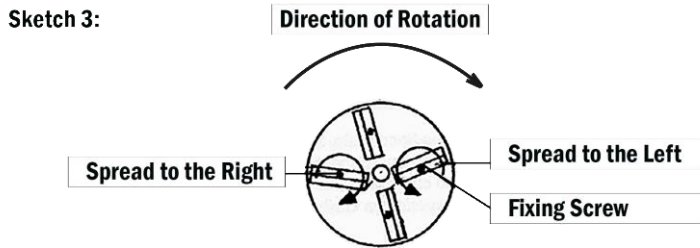
is influenced by turning the blades on the spreader plate

the distribution of the material to be spread changes according to the angle of the blade – see sketch 3

To adjust the blades loosen the fixing screws

After setting the blades definitely check the tight fit of the fixing screws!

Advice: the most advantageous angle of the blades can vary with the type Of materials to be spread!



**Maintenance Advice for the spreader**

Hydraulic plant: Pay attention to seals on motors and tubes

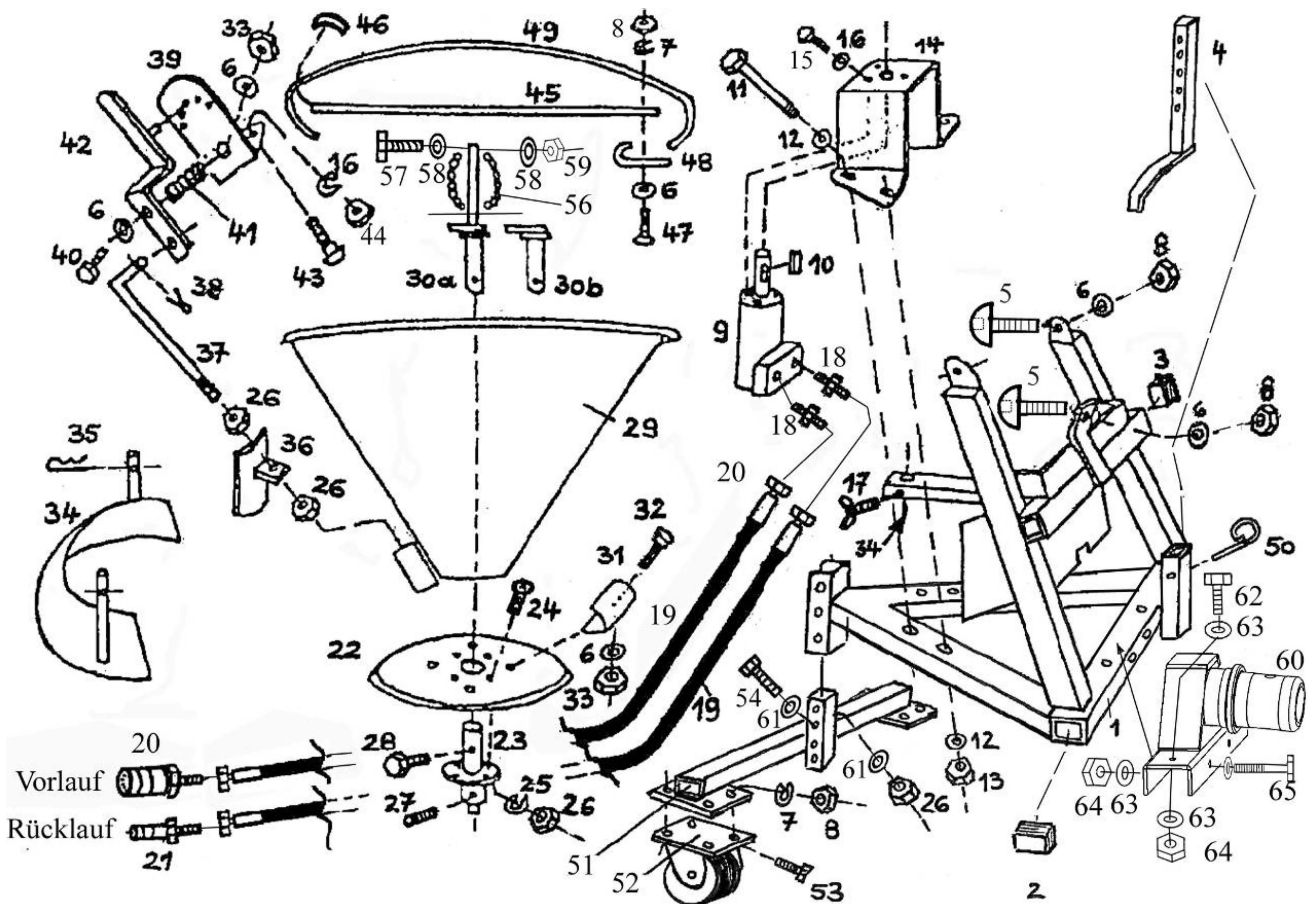
Fixings: Regularly check screws and nuts and tighten as Necessary,  
Pay special attention to the shearing screw on the drive Shaft.

Hydraulic Oil: Check the oil level after a test run, top up if necessary.

Spreader Hooper: Always totally empty it!

**General: always thoroughly clean the spreader after use!**

**Assembly: Centrifugal Spreader**



<b>Nr.</b>	<b>Art.-Nr.</b>	<b>Bezeichnung</b>	<b>Menge</b>	<b>Pos.</b>	<b>Art.-Nr.</b>	<b>Bezeichnung</b>	<b>Menge</b>
1	700 120 300	Rahmen an K1200	1	28	901 010 016	Schraube	1
2	943 160 403	Verschlusskappe	2	29	950 040 308	Trichter V 70	1
3	943 140 202	Verschlusskappe	2	30a	950 040 334	Rührfinger m. Mischstab	1
4	700 200 301	Abstellfuß	1	30b	950 040 335	Rührfinger, kurz	1
5	903 608 025	Schraube	3		950 040 307	Streuflügel	4
6	905 108 000	Scheibe	15	32	901 908 020	Schraube	4
7	905 008 000	Federring	13	33	900 008 002	Stopmutter	9
8	900 008 001	Mutter	13	34	950 040 318	Streubreitenbegrenzung	1
9	935 111 032	Hydraulikmotor	1	35	907 003 001	Federstecker	2
10	908 005 016	Paßfeder	1	36	950 040 309	Schieber	1
11	901 110 120	Schraube	4	37	950 040 310	Schieberstange	1
12	905 110 000	U-Scheibe	18	38	907 204 020	Splint	1
13	900 010 002	Stop-Mutter	4	39	950 040 311	Dosierplatte	1
14	950 040 331	Motorhalter	1	40	901 108 050	Schraube	1
15	901 006 016	Schraube	3	41	909 103 288	Druckfeder	1
16	905 006 000	Federring	5	42	950 040 312	Dosierhebel	1
17	902 108 012	Flügelschraube	2	43	903 606 015	Schraube	2
18	931 070 838	Hydroverschraubung	2	44	900 006 001	Mutter	2
19	930 008 580	Hydraulikschlauch	2	45	950 040 315	Schutzgitter	1
20	932 231 223	Hydraulikmuffe	1	46	950 040 336	Kantenschutzstück	6
20a	937 300 028	Dichtung zur Muffe	1	47	903 608 016	Schraube	2
21	932 131 323	Hydraulikstecker	1	48	950 040 316	Haken	2
22	950 040 332	Streuteller	1	49	950 040 317	Abdecktuch	1
23	950 040 333	Telleraufnahme hydr.	1	50	907 145 000	Rohrklappstecker	1
24	902 210 016	Imbusschraube	4	51	700 200 302	Radachse	1
25	905 010 000	Federring	5	52	926 302 140	Laufgrad	2
	900 010 001	Mutter	7	53	901 008 016	Schraube	8
27	902 306 010	Madenschraube	1	54	901 110 070	Schraube	1







# **Kersten**

**SITE MAINTENANCE EQUIPMENT**

Distributed in UK by  
**Kersten (UK) Ltd Tel. 0118 986 9253**

Progress House  
39 Boulton Road Reading, RG2 0NH  
www.kerstenuk.com - [info@kerstenuk.com](mailto:info@kerstenuk.com)