

Professional Weed Brushes - UB Easy series

For Tractors and Front Loaders **45HP+**

UB EASY PAK FL width 80 cm

UB EASY PAK DS width 80 cm

UB EASY PAK VB width 85 cm (vertical brush)



- This is our range of professional, heavy duty weed brushes with hydraulic drive and manual angling for fitment to loaders and front three point linkage.
- The 80cm diameter head is designed to remove moss and weeds from large areas of tarmac or block paving quickly and easily.
- The weed brush can be fitted with softer versa brushes for working on block paving and large areas, or aggressive Hausa (Wire rope) brushes for ripping through turf edges.
- The UB Easy range sport robust construction techniques, with CNC folded and welded, heavy gauge steel, making them lightweight and compact, but extremely tough.
- The head is adjustable in angle to reduce brush wear, apply greater pressure to the surface or deal with cambers.
- An adjustable guard and low brush speeds work together to keep debris close to the brush.
- The head can be changed for a vertical brush for fast and effective path edging where it is possible to deposit the material on the verge.
- Sweeping height is finely adjusted by an optional heavy duty gauge wheel—adjusted on a spindle for precise positioning of the brush, larger adjustments can be made by the loader or linkage.
- Integrated support stands allow mounting and dismounting of the brush to be effortless.

For more info



HYDRAULIC DRIVE

UB EASY PAK FL

UB EASY PAK DS

UB EASY PAK VB

Working width	30cm	30cm	30cm
Weight	158kg	158kg	158kg
Oil flow required to operate	25l/min	25l/min	25l/min
Diameter brush	80cm	80cm	85cm
Brush type	Versa	Hausa	Hausa

Optional Accessories

1	Replaceable head with vertical brushes for path edging	MP-BK-UB-EASY
2	Flow control valve for stepless speed adjustment	MP-MR-UB-EASY
3	Support wheel for fine height adjustment	MP-LR-UB-EASY

Mounting options for UB EASY Series

The following options are the basic types of mounting systems. Within these broad categories are many individual varieties; particular to power unit or linkage manufactures. Precise details of mounting vehicle should be supplied to ensure correct fitment.

ABR UB DP - Tractor front linkage with CAT 1 or CAT 2 link arms. The bracket is fixed to the weed brush because tractor front linkage provides float for the brush. Allows weed brush to connect to link arms.

ABR UB KD - Tractor front linkage with CAT 1 A-Frame connection. The bracket is fixed to the weed brush because tractor front linkage provides float for the brush. Allows weed brush to connect to a linkage triangle

ABR UB LA - Front Loader connection .The bracket is fixed to the weed brush because loader provides float for the brush. Allows weed brush to connect to front loader.

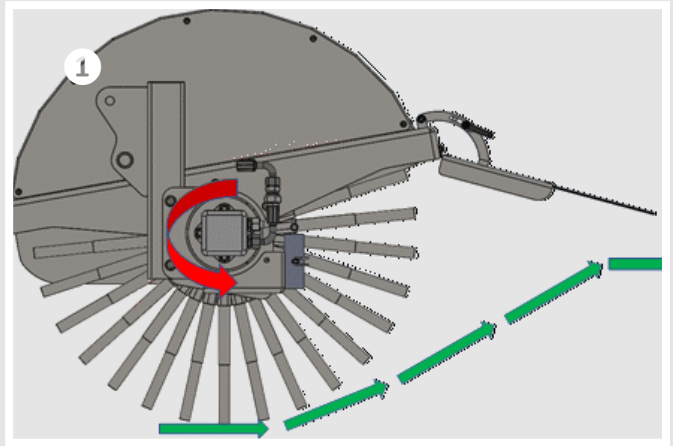


1 Replaceable head with vertical brushes

The UB EASY frame can be used to carry the standard versa or hausa brush head. Or this can be removed from the frame and the vertibrush inserted in its place, giving you the choice of two models on the one carrying frame. The heads can simply be unbolted and swapped over.

The vertibrush is ideal for weed removal on road sides or bike paths, as the brush ejects the material onto the verge, negating the requirement for a second process of blowing or sweeping the material after weed brushing.

A heavy duty guard guides the direction of the material for accurate placement on the verge. 30 Heavy duty hausa brushes remove heavy material from path edges to leave a clean surface.



2 Flow control valve

The brush speed is usually fixed by the oil flow rate. The flow control valve allows the oil flow to be reduced in order to finely adjust the brush speed, controlling the distance that debris is flung from the brush.

3 Support wheel

The height of the brush is usually adjusted by the linkage or the loader. However, fine adjustment using the optional support wheel allows better results combined with maximum brush life. By adjusting the pressure on the brush, we can tailor the brush aggression to the task at hand.

